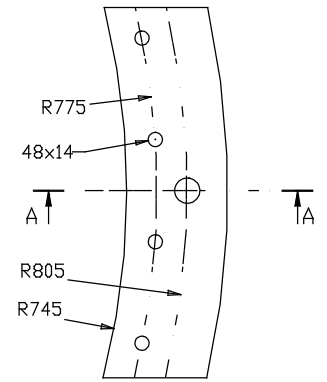
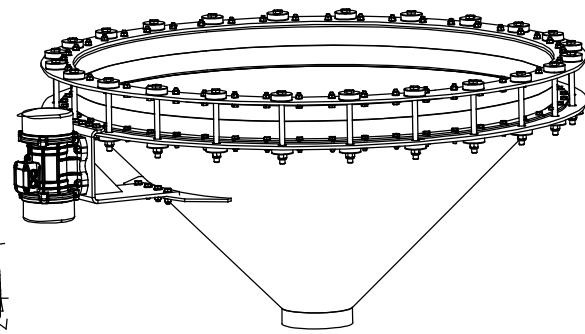
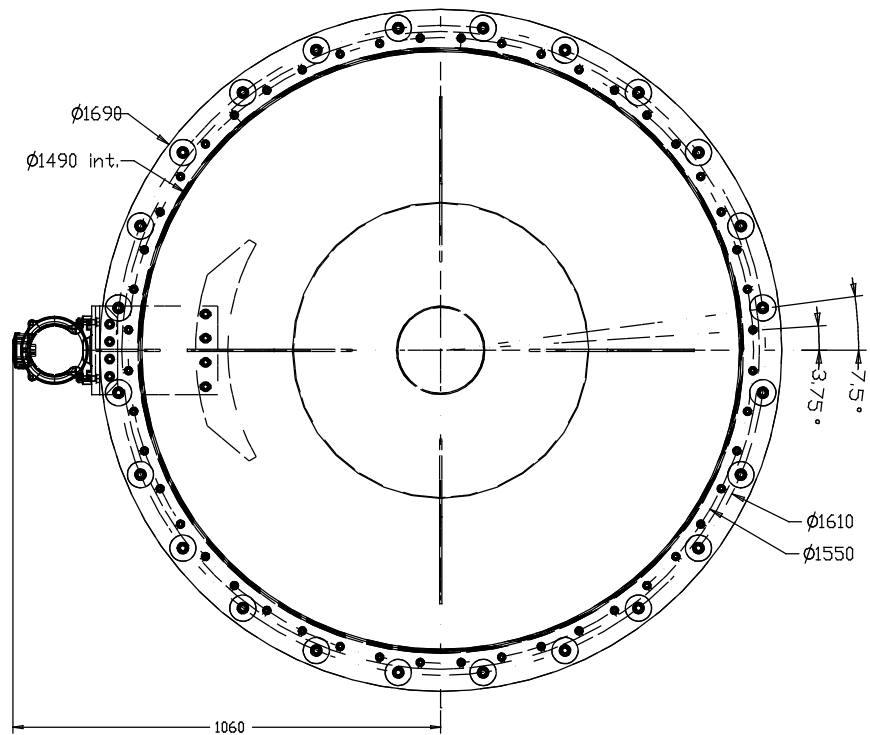
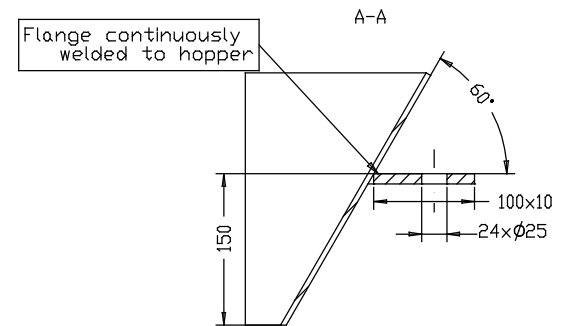
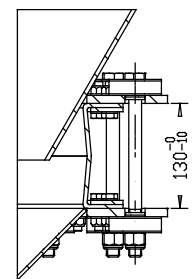


Mounting detail to be accurately observed



"VORLÄUFIG"
"TEMPORARY"

OUTLET	A (ØExt.)	B ±10
DN200	206	835
DN250	256	810
DN300	306	785
DN350	356	760
DN400	406	735

Index	Modification	Date	Modified By

BB2007 - DN1500
VSN07 1700

ISERCO
Rue Denis PAPIN - Z.I. BP15 - 59147 GONDECCOURT
Tél: +33 3.20.62.93.60 - Fax: +33 3.20.32.51.88 - E-mail: contact@iserco.com

Material Acier / Inox.
Date: 05/02/2007
Scale: 1:1
Format: A3
Drawn by: LD
Code: BB7_DN1500
N° TPBB7_DN1500U

Transferring and copying of this drawing as well as utilization and informing third parties of its content is prohibited, unless explicitly permitted. Contribution to this office to indemnify.