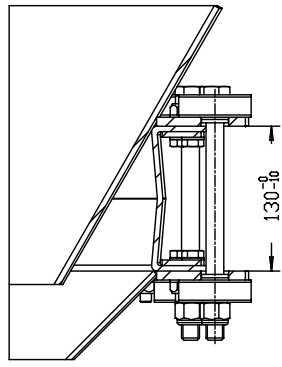
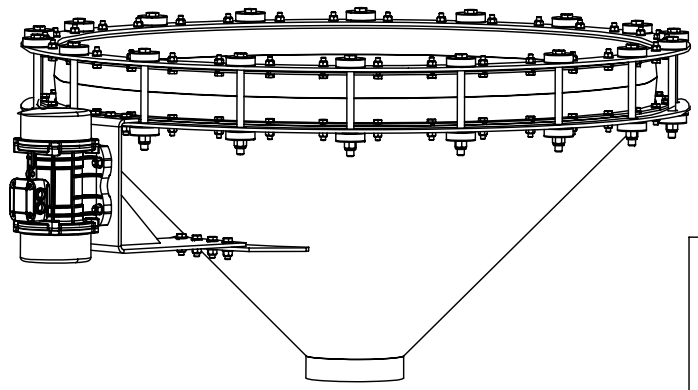
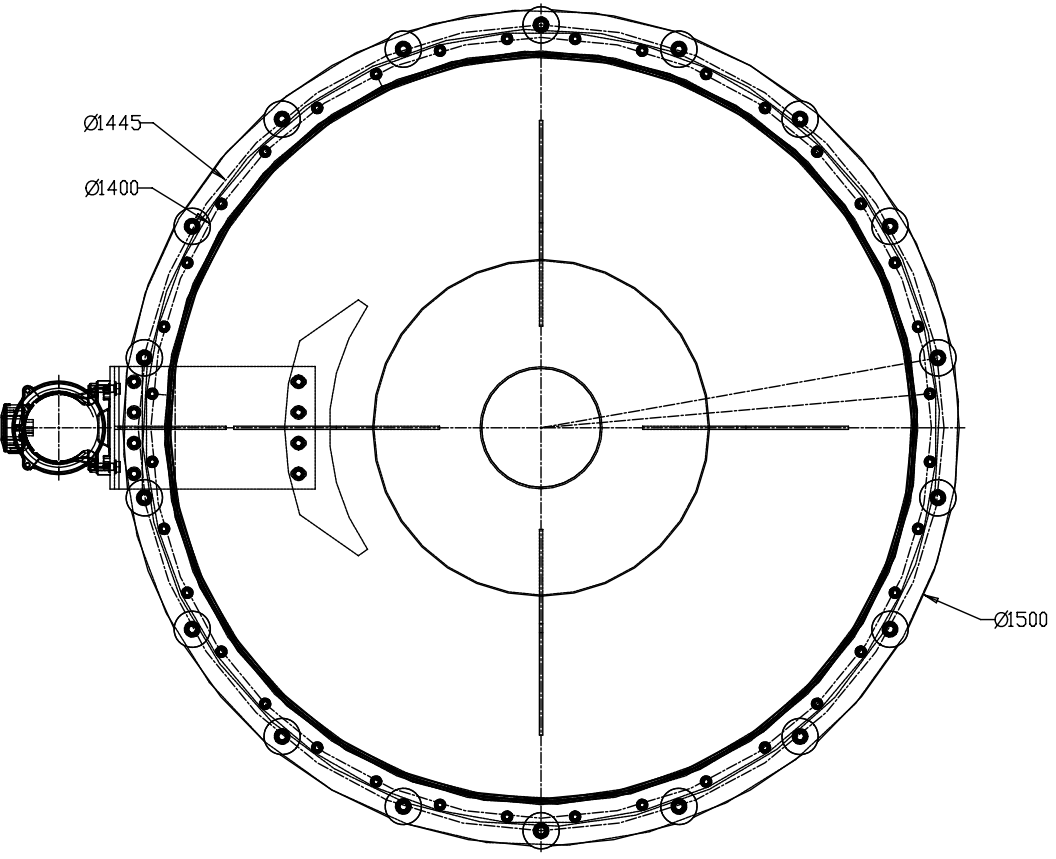
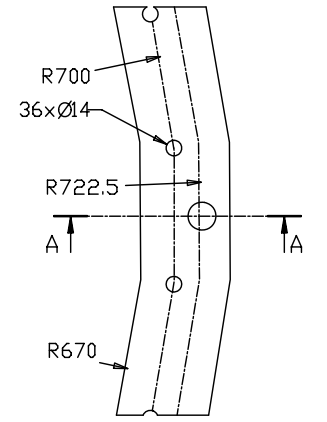
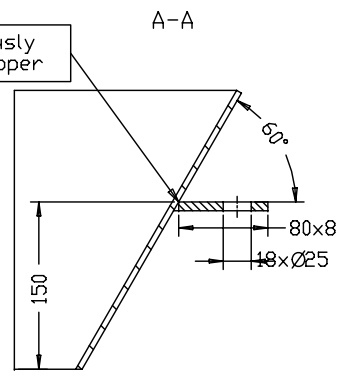


Mounting detail to be accurately observed



Flange continuously welded to hopper



"VORLAUFIG"
"TEMPORARY"

VSN07	DN1500	DN1500	DN1500
	DN1500	DN1500	DN1500
	DN1500	DN1500	DN1500
	DN1500	DN1500	DN1500
	DN1500	DN1500	DN1500
	DN1500	DN1500	DN1500
	DN1500	DN1500	DN1500

Index	Modification	Date	Modified By

BASIC BIN 2007 - DN1350
VSN07 1500

ISERCO
Rue Denis PAPIN - ZI - BP15 - 59147 GENDECOURT
Tél: +33 320629360 - Fax: +33 320325188 - E-mail: contact@iserco.com
Transferring and copying of this drawing as well as utilization and informing third parties of its content is prohibited, unless explicitly permitted. Contravention to this obliges to indemnifications.

Material: Acier / Inox.
Date: 05/02/2007
Scale: 1:10
Format: A3
Code: LD
Code: BB7_DN1350
N° TPBB7_DN1350