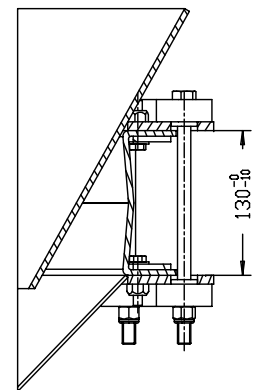
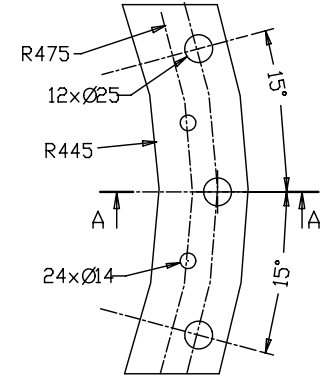
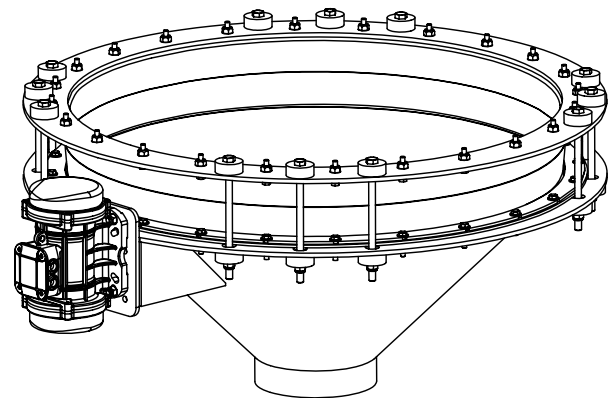
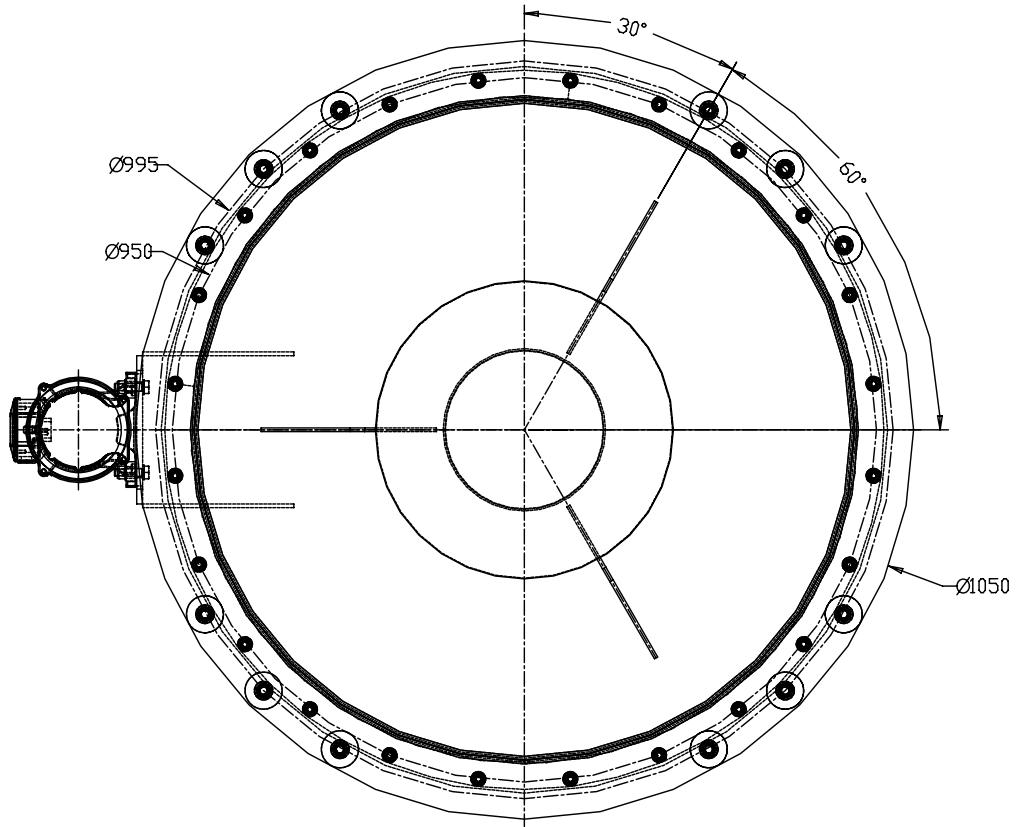
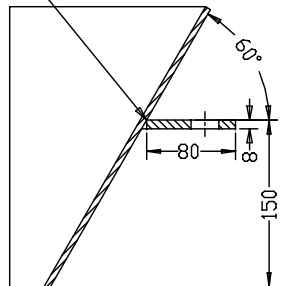


Mounting detail to be accurately observed



Flange continuously welded to hopper



"VORLAUFIG"
"TEMPORARY"

VSN07 1000	OUTLET	A(ØExt.)	B±10
	DN200	206	532
	DN250	256	507
	DN300	306	482
	DN350	356	457
	DN400	406	432

Index	Modification	Date	Modified By

BASIC BIN 2007 - DN900
VSN07 1000

ISERCO
 Rue Denis PAPIN - ZI- BP15 - 59147 GENEBECOURT
 Tel: +33 320629360 - Fax: +33 320325188 - E-mail: contact@iserco.com

Material: Acier / Inox.
 Date: 28/02/2007 Drawn by: LD Code: TPBB07_DN900
 Scale: 1:7.5 Format: A3 N° TPBB7_DN900U

Transferring and copying of this drawing as well as utilization and informing third parties of its content is prohibited, unless explicitly permitted. Contravention to this obliges to indemnifications.