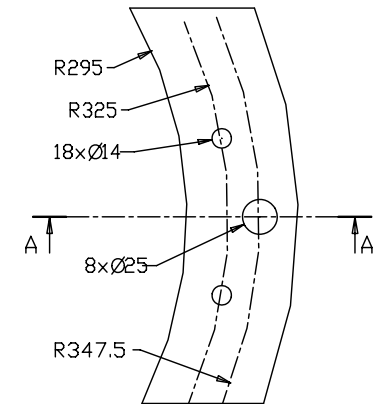
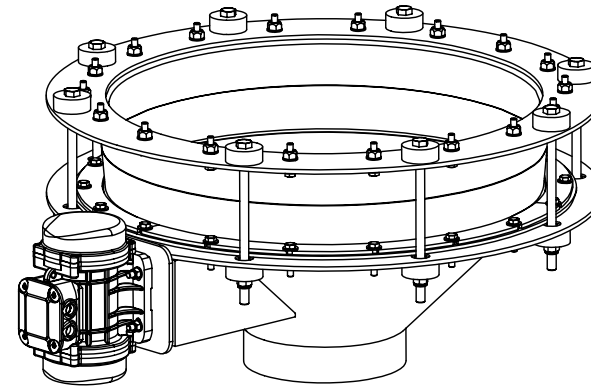
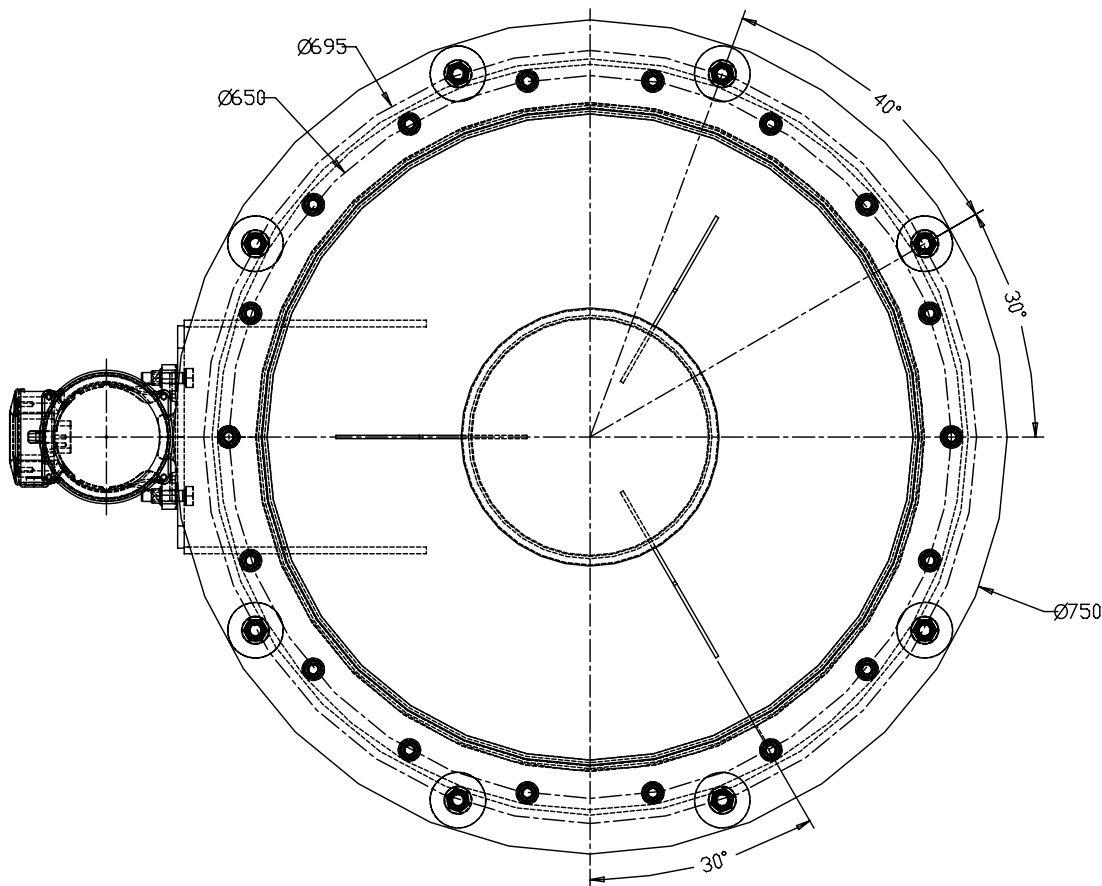
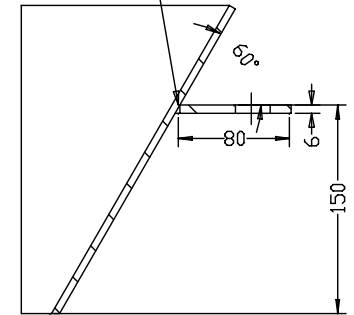
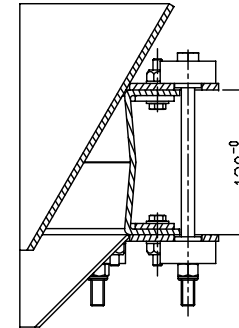


Limit of ISERCO scope of supply

Mounting detail to be accurately observed

Flange continuously welded to hopper



"VORLAUFIG"  
"TEMPORARY"

VSN07 750	OUTLET	A(ØExt.)	B±10
	DN200	206	380
	DN250	256	355
	DN300	306	330
	DN350	-	-
	DN400	-	-

Index	Modification	Date	Modified By

BASIC BIN 2007 - DN600  
VSN07 750



Rue Denis PAPIN - ZI - BP15 - 59147 GONDECOURT  
Tel: +33 320629360 - Fax: +33 320325188 - E-mail: contact@isercoco.com

Material: Acier / Inox.

Date: 31/01/2007

Drawn by: LD

Code: TPBB07\_DN600

Scale: 1:5

Format: A3



N° TPBB7\_DN600U

Transferring and copying of this drawing as well as utilization and informing third parties of its content is prohibited, unless explicitly permitted. Contention to this obliges to indemnifications.